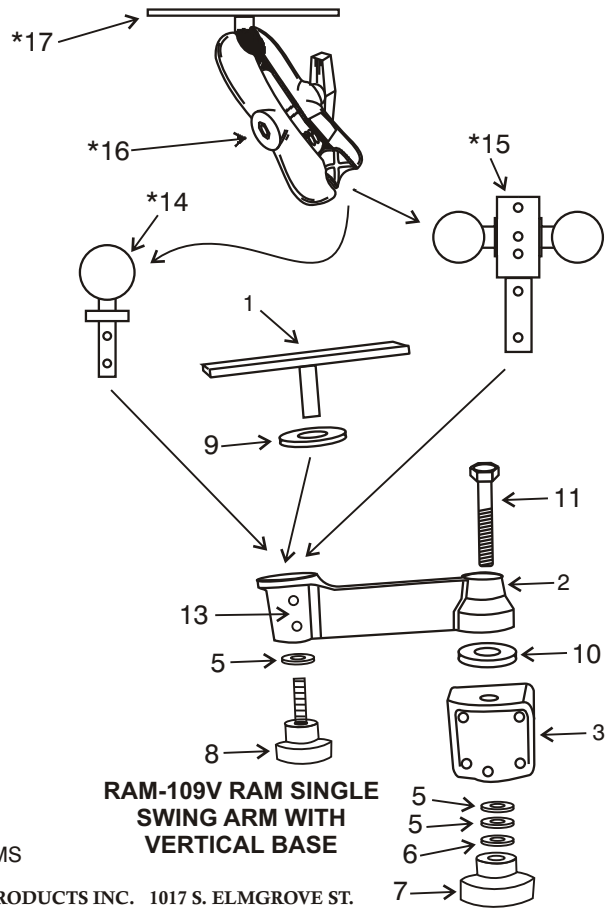


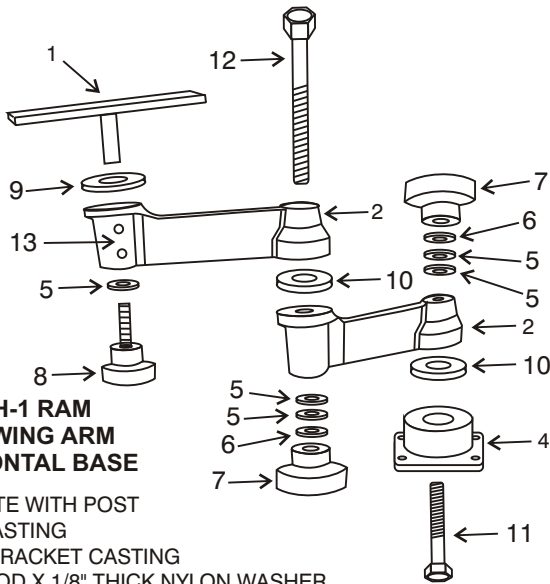
**RAM-109V-1 RAM  
DOUBLE SWING ARM  
WITH VERTICAL BASE**

- 1- 6 1/4" X 2" PLATE WITH POST
- 2- SWING ARM CASTING
- 3- VERTICAL BRACKET CASTING
- 5- 3/8" ID X 1 1/4" OD X 1/8" THICK NYLON WASHER
- 6- 3/8" ID X 7/8" OD STAINLESS STEEL FLAT WASHER
- 7- 2 3/8" OD HAND KNOB WITH 3/8"-16 FEMALE THREADS
- 8- 1 3/4" OD HAND KNOB WITH 5/16"-18 X 1 1/8" LONG STST STUD
- 9- 5/8" ID X 1 3/4" OD X 1/16" THICK NYLON WASHER
- 10- 3/8" ID X 1 1/2" OD X 3/8" THICK NYLON WASHER
- 11- 3/8"-16 X 2 1/2" LONG STAINLESS STEEL HEX BOLT
- 12- 3/8"-16 X 4" LONG STAINLESS STEEL HEX BOLT
- 13- 5/16"-18 X 3/8" LONG STAINLESS STEEL SET SCREW
- 14- RAM-208 5/8" POST WITH R-A-M BALL FOR SOCKET ARMS
- 15- RAM-222 5/8" POST AND 5/8" HOLE WITH DOUBLE BALLS FOR SOCKET ARMS
- 16- RAM-201 R-A-M DOUBLE BALL SOCKET ARM
- 17- RAM-111B 6 1/4" X 2" BASE PLATE WITH R-A-M BALL
- \*- OPTIONAL ITEMS TO ENHANCE THE ARMS VERSATILITY



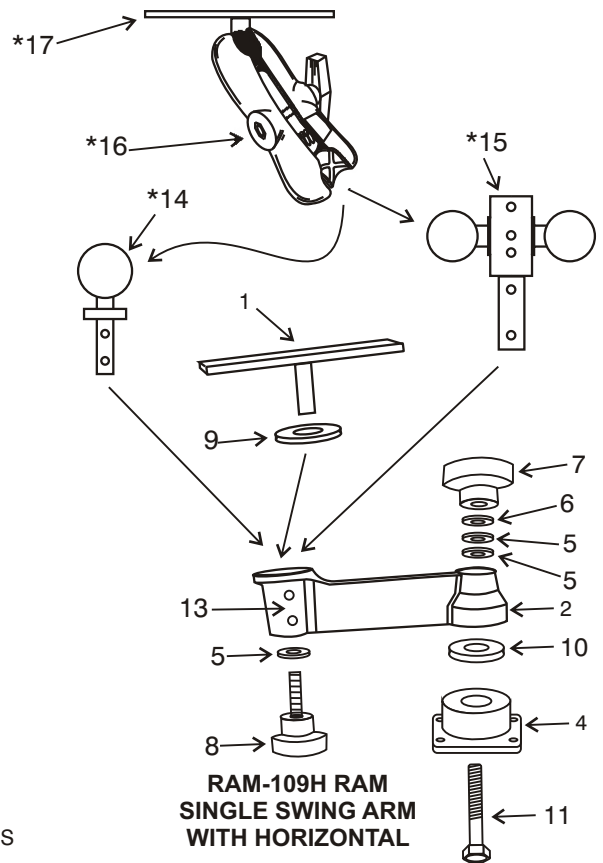
**RAM-109V RAM SINGLE  
SWING ARM WITH  
VERTICAL BASE**

NATIONAL PRODUCTS INC. 1017 S. ELMGROVE ST.  
SEATTLE, WA 98108 206-763-8361 FAX: 206-763-9615



**RAM-109H-1 RAM  
DOUBLE SWING ARM  
WITH HORIZONTAL BASE**

- 1- 6 1/4" X 2" PLATE WITH POST
- 2- SWING ARM CASTING
- 4- HORIZONTAL BRACKET CASTING
- 5- 3/8" ID X 1 1/4" OD X 1/8" THICK NYLON WASHER
- 6- 3/8" ID X 7/8" OD STAINLESS STEEL FLAT WASHER
- 7- 2 3/8" OD HAND KNOB WITH 3/8"-16 FEMALE THREADS
- 8- 1 3/4" OD HAND KNOB WITH 5/16"-18 X 1 1/8" LONG STST STUD
- 9- 5/8" ID X 1 3/4" OD X 1/16" THICK NYLON WASHER
- 10- 3/8" ID X 1 1/2" OD X 3/8" THICK NYLON WASHER
- 11- 3/8"-16 X 2 1/2" LONG STAINLESS STEEL HEX BOLT
- 12- 3/8"-16 X 4" LONG STAINLESS STEEL HEX BOLT
- 13- 5/16"-18 X 3/8" LONG STAINLESS STEEL SET SCREW
- 14- RAM-208 5/8" POST WITH R-A-M BALL FOR SOCKET ARMS
- 15- RAM-222 5/8" POST AND 5/8" HOLE WITH DOUBLE BALLS FOR SOCKET ARMS
- 16- RAM-201 R-A-M DOUBLE BALL SOCKET ARM
- 17- RAM-111B 6 1/4" X 2" BASE PLATE WITH R-A-M BALL
- \*- OPTIONAL ITEMS TO ENHANCE THE ARMS VERSATILITY



**RAM-109H RAM  
SINGLE SWING ARM  
WITH HORIZONTAL**

NATIONAL PRODUCTS INC. 1017 S. ELMGROVE ST.  
SEATTLE, WA 98108 206-763-8361 FAX: 206-763-9615