

**Item Number**  
RAM-VB-101

# RAM No-Drill™ Seat Bases

National Products, Inc.

**Vehicle base for the**  
**CHEVROLET S-10 4x4 only** (1995-2004)  
**CHEVROLET S-10 BLAZER** (1995-2001)  
**GMC JIMMY** (1995-2001)  
**GMC SONOMA** (1995-2004)

## SPECIFICATIONS

### Placement

Passenger side floor board, in front of seat  
Between seat frame and floor board

### Drilling Required

None - uses existing seat bolts

### Seat Configuration

Bucket/Bench

### Construction/Finish

Steel/Black Powdercoat

### Dimensions

A = 16", B = 6.75", C = 3.75", D = 7.75"  
Hole Center = 13.13"

### Pole or Pedestal

Sold Separately

### Weight

10.7 lbs.

## Features

Quick installation with no drilling needed  
Angled step moves mount away from passenger leg space  
Levers, console, or 4WD shifter not interfered with

## Misc.

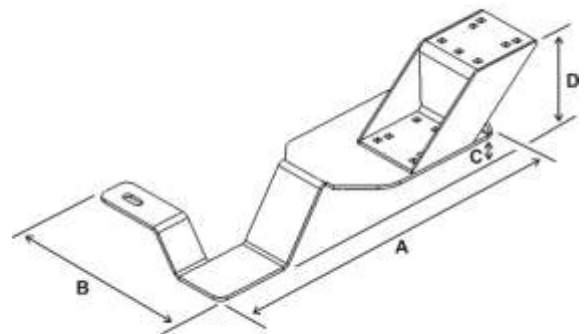
One Offset Universal Mount Riser is already included with this vehicle base. May not be necessary for all installation. Use as needed.

Step feature allows optimized placement of mount with a minimal amount of intrusion of passenger leg space.

National Products, Inc.  
Phone: 206-763-8361  
Fax: 206-763-9615  
Address: 1205 S Orr St  
Seattle, WA 98108  
Website: [www.ram-mount.com](http://www.ram-mount.com)  
Email: [staff@ram-mount.com](mailto:staff@ram-mount.com)



Shown In Use



RAM-VB-101, SHOWN WITH  
RAM-VB-SB4 RISER (INCLUDED)



**Item Number**  
RAM-VB-101

# RAM No-Drill™ Seat Bases

National Products, Inc.

**Vehicle base for the**  
**CHEVROLET S-10 4x4 only** (1995-2004)  
**CHEVROLET S-10 BLAZER** (1995-2001)  
**GMC JIMMY** (1995-2001)  
**GMC SONOMA** (1995-2004)

## INSTALLATION INSTRUCTIONS

1. Attach the RAM-VB-SB4 riser with 5/16" carriage bolts, flat washer, lock washers, and nuts.
2. Remove the two front seat bolts that connect the passenger seat to the floor. These may be under plastic caps.
3. Tilt the front of the passenger seat upward to clear the studs and slide the No-Drill™ base under the seat until the slots in the base line up with the seat bolt studs.
4. Lower the seat back down into position.
5. Install the two front seat nuts and fully tighten.

National Products, Inc.  
Phone: 206-763-8361  
Fax: 206-763-9615  
Address: 1205 S Orr St  
Seattle, WA 98108  
Website: [www.ram-mount.com](http://www.ram-mount.com)  
Email: [staff@ram-mount.com](mailto:staff@ram-mount.com)

