

Item Number
RAM-VB-104

RAM No-Drill™ Seat Bases

National Products, Inc.

Vehicle base for the
RAM 1500 (2002-2008)
RAM 2500/3500 (2003-2008)

SPECIFICATIONS

Placement

Passenger side on the floor, in front of seat

Drilling Required

No - uses existing seat bolts

Seat Configuration

Bucket/Bench

Construction/Finish

Steel/Black Powdercoat

Dimensions

A = 16", B = 5", C = 5.5"

Hole Center = 13"

Pole or Pedestal

Ordered Separately

Weight

10.7 lbs.

Tools required for base installation

15mm socket, universal joint adaptor or wobble, socket wrench. Tools for complete system assembly: pliers, phillips screw driver, #10, 1/2", 9/16" box end wrenchs

Features

Installs in minutes with no drilling required
Angled step moves pole away from passenger leg space
Won't interfere with levers or factory-installed console or 4WD lever

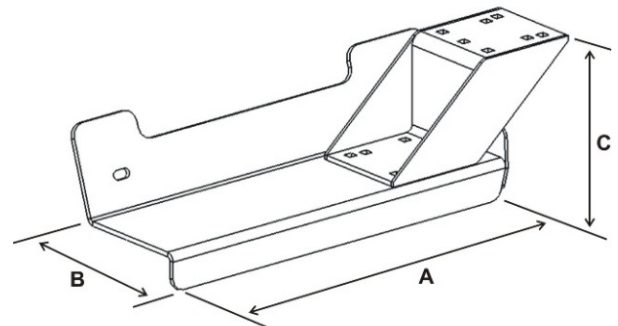
Notes.

This base will not fit trucks with PTO on the transmission. If your vehicle has the PTO accessory on the transmission, you will need the RAM-VB-178.

National Products, Inc.
Phone: 206-763-8361
Fax: 206-763-9615
Address: 1205 S Orr St
Seattle, WA 98108
Website: www.ram-mount.com
Email: staff@ram-mount.com



Complete system
shown in use



RAM-VB-104, SHOWN WITH
RAM-VB-SB4 RISER (INCLUDED)



Item Number
RAM-VB-104

RAM No-Drill™ Seat Bases
National Products, Inc.

Vehicle base for the
RAM 1500 (2002-2008)
RAM 2500/3500 (2003-2008)

INSTALLATION INSTRUCTIONS

1. Move the passenger seat to the rearmost setting.
2. Remove the front seat rail bolts that fasten the passenger seat brackets to the vehicle floor. Use the 15mm socket to remove the seat leg bolts holding the passenger side seat frame to the floor board.
3. Without moving the seat, place the base over the front of the seat legs and align the holes in the base and legs.
4. Re-install the seat bolts starting the thread by hand. Once started, use 15mm socket and torque bolts to 30 ft lbs.
5. Attach the RAM-VB-SB4 riser to base with the provided carriage bolts, washers, and nuts. The ½" box end wrench is used to tighten the nuts as part of the riser hardware.

Note: It may be necessary to put the inside seat bolt through the no drill base prior to attaching the riser. Once

National Products, Inc.
Phone: 206-763-8361
Fax: 206-763-9615
Address: 1205 S Orr St
Seattle, WA 98108
Website: www.ram-mount.com
Email: staff@ram-mount.com

