

**Item Number**  
RAM-VB-141

# RAM No-Drill™ Seat Bases

National Products, Inc.

**Vehicle base for the**  
**JEEP LIBERTY (2002-2005)**  
**DODGE NITRO (2007-2008)**

## SPECIFICATIONS

### Placement

Passenger side, front, where seat rail frame attaches to floor board.

### Drilling Required

No - uses existing seat bolts

### Seat Configuration

Bucket

### Construction/Finish

Steel/Black Powdercoat

### Dimensions

A = 12.75", B = 8", C = 5.25"  
Hole Centers = 11"

### Pole or Pedestal

Sold Separately

### Weight

4.9 lbs.

## Features

Installs in minutes with no drilling required  
Low profile keeps mount away from passenger leg space

## Misc.

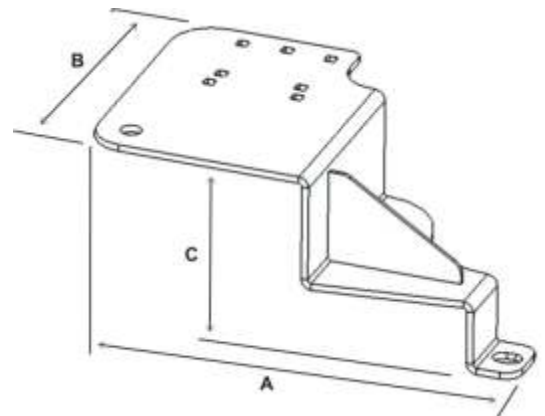
Rock solid construction

Lifetime warranty

National Products, Inc.  
Phone: 206-763-8361  
Fax: 206-763-9615  
Address: 1205 S Orr St  
Seattle, WA 98108  
Website: [www.ram-mount.com](http://www.ram-mount.com)  
Email: [staff@ram-mount.com](mailto:staff@ram-mount.com)



Shown In Use



RAM-VB-141



**Item Number**  
RAM-VB-141

# RAM No-Drill™ Seat Bases

National Products, Inc.

**Vehicle base for the**  
**JEEP LIBERTY (2002-2005)**  
**DODGE NITRO (2007-2008)**

## INSTALLATION INSTRUCTIONS

1. Move the passenger seat back to its rearmost position and remove the front seat rail bolts on the passenger side.
2. Without moving the seat, place the No-Drill™ base over the front of the seat frame legs.
3. Align the holes in the base with those of the seat frame legs. The pedestal platform should be near the console.
4. Re-install the seat bolts and fully tighten.

National Products, Inc.  
Phone: 206-763-8361  
Fax: 206-763-9615  
Address: 1205 S Orr St  
Seattle, WA 98108  
Website: [www.ram-mount.com](http://www.ram-mount.com)  
Email: [staff@ram-mount.com](mailto:staff@ram-mount.com)

