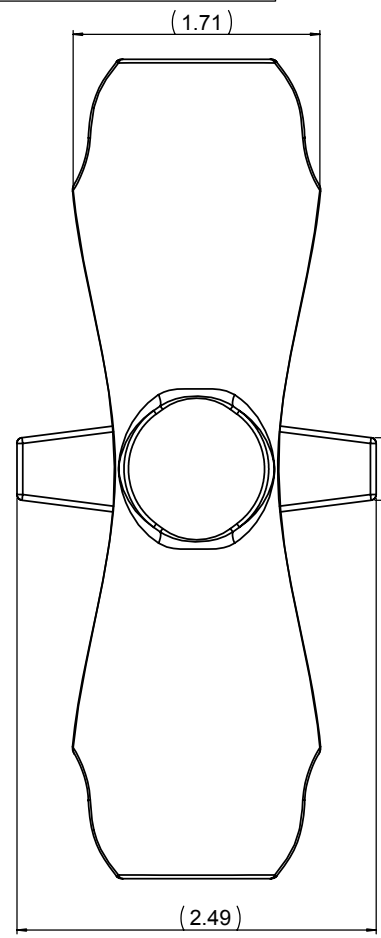
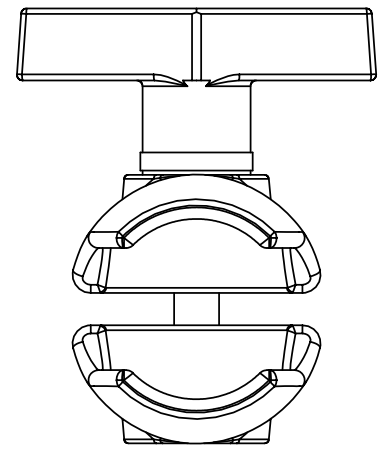
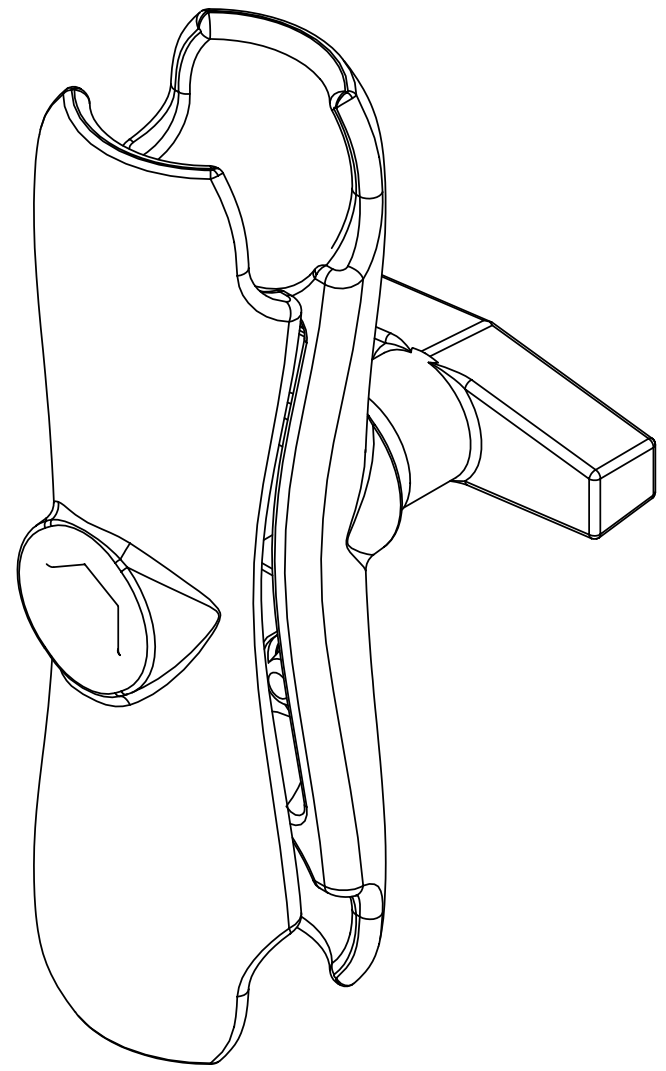
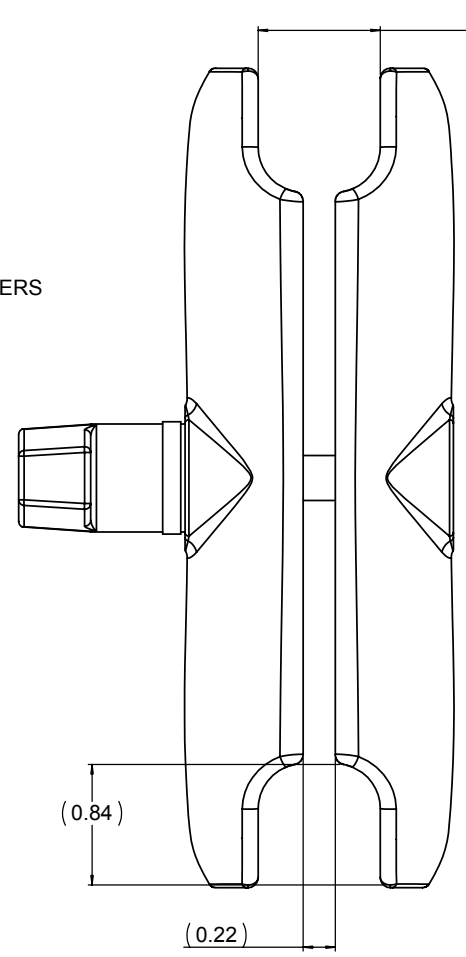


THE INFORMATION CONTAINED IN THIS DRAWING IS THE SOLE PROPERTY OF NATIONAL PRODUCTS INC. ANY REPRODUCTION IN PART OR WHOLE WITHOUT THE WRITTEN PERMISSION OF NATIONAL PRODUCTS INC. IS PROHIBITED.

REV.		DESCRIPTION	REVISIONS	DATE	APPROVED



4 5/8" BALL CENTERS



UNLESS OTHERWISE SPECIFIED DIMENSIONS ARE IN INCHES TOLERANCES ARE: FRACTIONS: DECIMALS ANGLES +/- 1/32 .XXX+-.06 +/- 1 DEG. .XXX+-.030	CAD GENERATED DRAWING. DO NOT MANUALLY UPDATE		NATIONAL PRODUCTS INC.	
	APPROVALS	DATE	RAM DOUBLE SOCKET ARM FOR 1.5" DIA. BALLS	
MATERIAL	DRAWN	CHECKED	DATE	REV.
ALUMINUM	JDC	CMR	01/19/01	RAM-201
FINISH	RESP. ENG.	MFG. ENG.	QUAL. ENG.	SCALE 1 TO 1
BLACK POWDER COAT				CAD. FILE: RAM201
DO NOT SCALE DRAWING				SHEET 1 OF 1