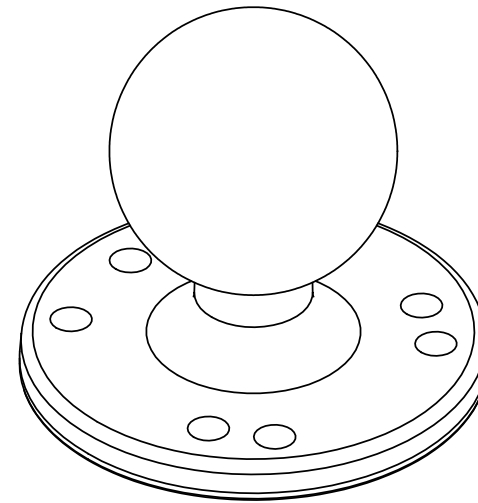
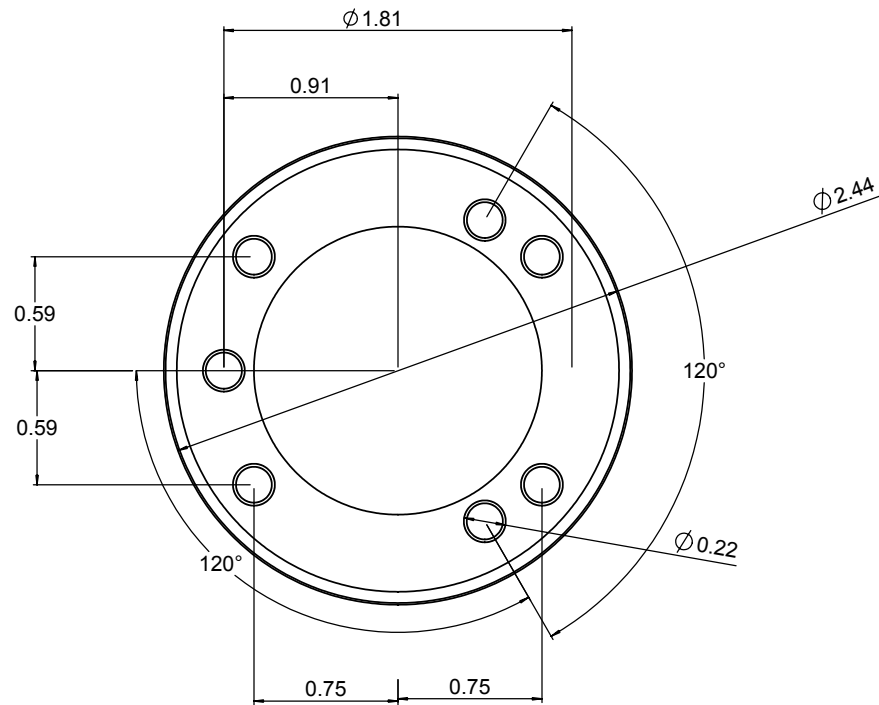
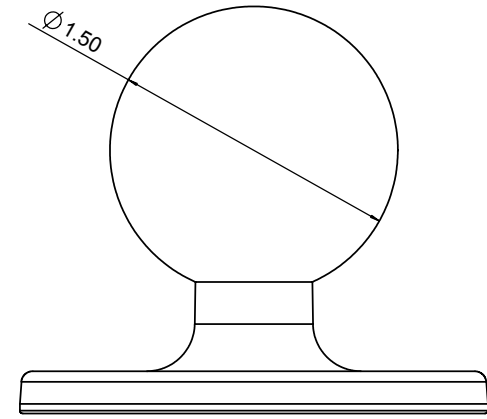
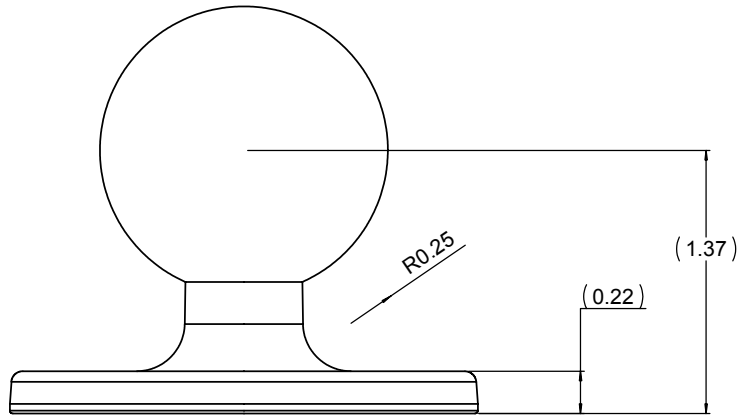


THE INFORMATION CONTAINED IN THIS DRAWING IS THE SOLE PROPERTY OF NATIONAL PRODUCTS INC. ANY REPRODUCTION IN PART OR WHOLE WITHOUT THE WRITTEN PERMISSION OF NATIONAL PRODUCTS INC. IS PROHIBITED.

REVISIONS		DATE	APPROVED
REV.	DESCRIPTION		



UNLESS OTHERWISE SPECIFIED DIMENSIONS ARE IN INCHES TOLERANCES ARE: FRACTIONS: DECIMALS ANGLES + 1/32 .XXX + .06 + -1 DEG. .XXX - .030	CAD GENERATED DRAWING. DO NOT MANUALLY UPDATE	NATIONAL PRODUCTS INC.	
MATERIAL: ALUMINUM	APPROVALS DRAWN: JDC 01/19/01 CHECKED: CMR 04/20/01 RESP ENG	DATE	REV.
FINISH: BLACK POWDER COAT	QUAL ENG	DWG. NO.: RAM-202	REV.
DO NOT SCALE DRAWING	SCALE 1 TO 1	CAD FILE: RAM202	SHEET 1 OF 1