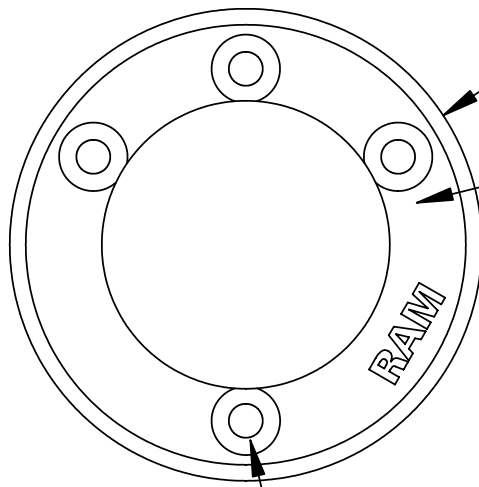


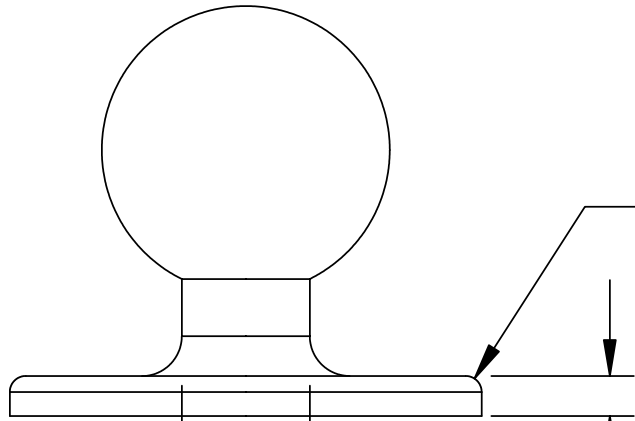
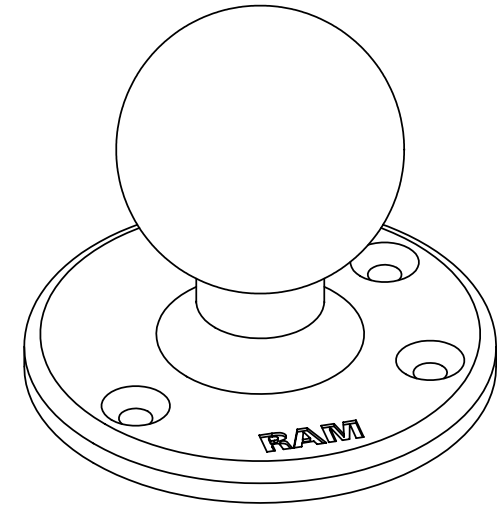
THE INFORMATION CONTAINED IN THIS DRAWING IS THE SOLE PROPERTY OF NATIONAL PRODUCTS INC. ANY REPRODUCTION IN PART OR WHOLE WITHOUT THE WRITTEN PERMISSION OF NATIONAL PRODUCTS INC. IS PROHIBITED.



Ø 3.69

Ø 2.75 HOLE CENTERS

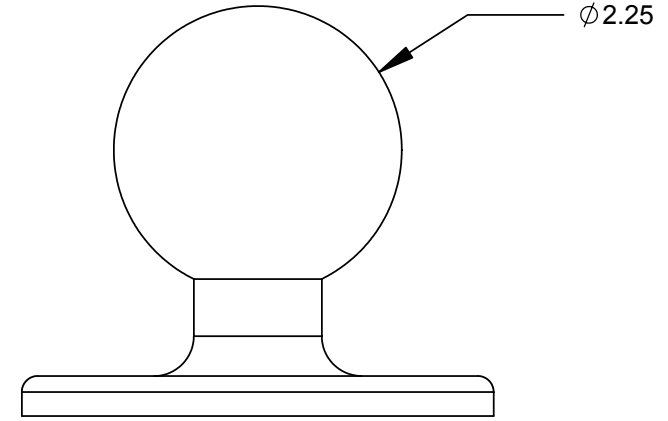
Ø .31
3- 120 DEG. &
1- 180 DEG.



R.13

Ø 1.00

.31



Ø 2.25

ITEM NO.	PART OR IDENTIFYING NO.	NOMENCLATURE OR DESCRIPTION	MATERIAL SPECIFICATION	QTY REQD
PARTS LIST				
UNLESS OTHERWISE SPECIFIED DIMENSIONS ARE IN INCHES		CAD GENERATED DRAWING, DO NOT MANUALLY UPDATE		NATIONAL PRODUCTS INC. 1017 S. ELMGROVE ST. SEATTLE, WA 98108
TOLERANCES ARE:		APPROVALS	DATE	
FRACTIONS	DECIMALS	ANGLES		RAM 2 11/16" DIA. BASE WITH 2 1/4" DIA. RUBBER BALL
+ - 1/32	.XX+ -.06	+ - 1 DEG.	DRAWN JDC 01/12/01	
.XXX+ - .030			CHECKED CMR 04/20/01	
MATERIAL	ALUMINUM	RESP ENG		
FINISH	BLACK POWDER COAT	MFG ENG		
NEXT ASSY	USED ON	QUAL ENG		
APPLICATION	DO NOT SCALE DRAWING			
SIZE A	DWG. NO. RAM-D-202	SCALE	CAD FILE: RAMD202	REV. SHEET 1 OF 1