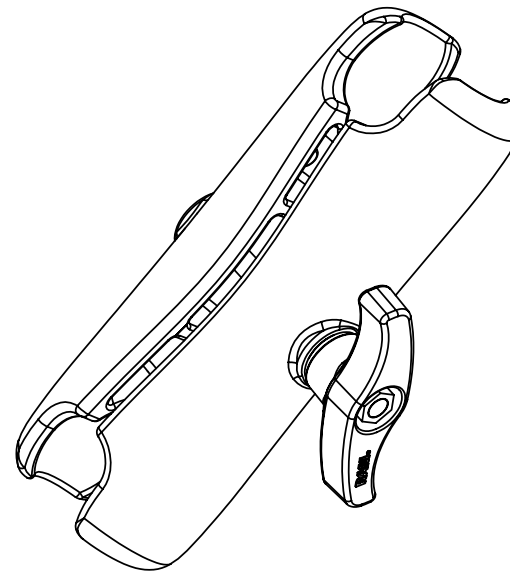
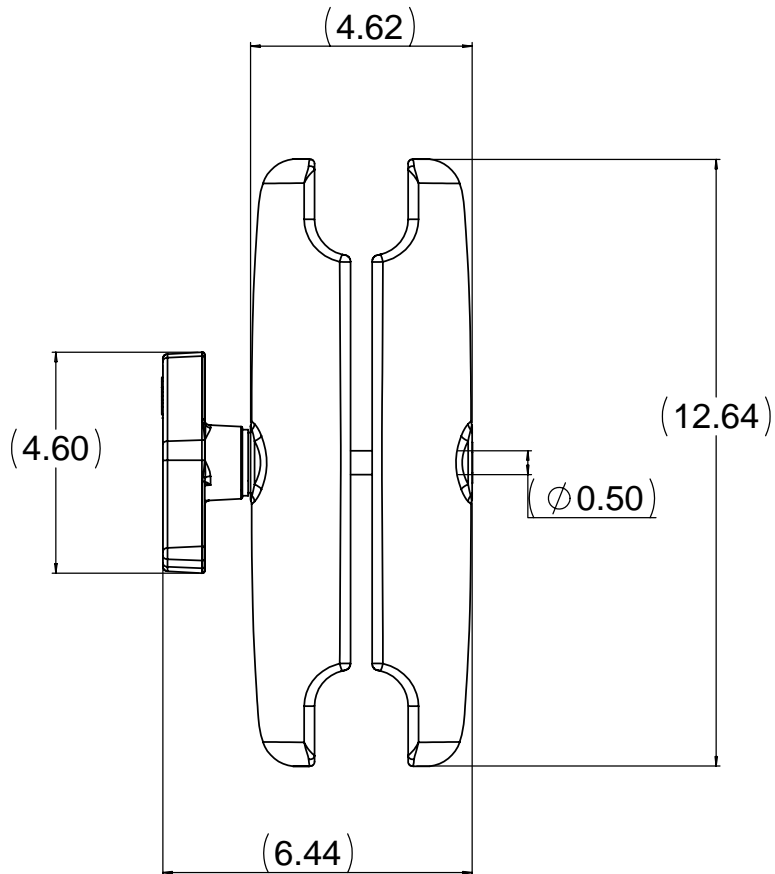
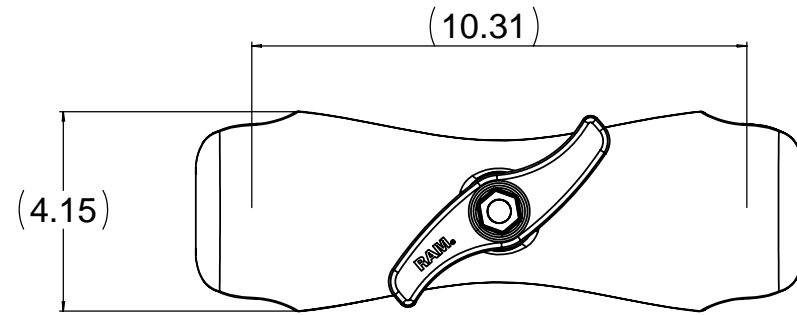
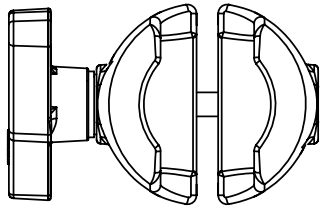


8 7 6 5 4 3 2 1

THE INFORMATION CONTAINED IN THIS DRAWING IS THE SOLE PROPERTY OF NATIONAL PRODUCTS INC. ANY REPRODUCTION IN PART OR WHOLE WITHOUT THE WRITTEN PERMISSION OF NATIONAL PRODUCTS INC. IS PROHIBITED.

REV	DESCRIPTION	REVISIONS	DATE	APPROVED



UNLESS OTHERWISE SPECIFIED DIMENSIONS ARE IN INCHES TOLERANCES ARE: FRACTIONS: DECIMALS ANGLES + 1/32 - XX + .03 + 1 DEG. XXX - .010	CAD GENERATED DRAWING. DO NOT MANUALLY UPDATE		NATIONAL PRODUCTS INC.	
	APPROVALS	DATE	RAM E SIZE DOUBLE SOCKET ARM FOR 3 3/8" BALLS	
MATERIAL: BLACK ALUMINUM	DRAWN JDC	03/26/07	CHECKED CMR	03/26/07
DESIGN RES P ENG	MFG ENG	QUAL ENG	ISS C	DATE: 03/26/07 REV: 1 SCALE: 1 TO 1 CAD FILE: RAME201 SHEET 1 OF 1